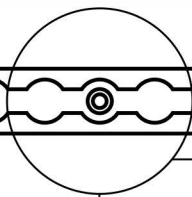
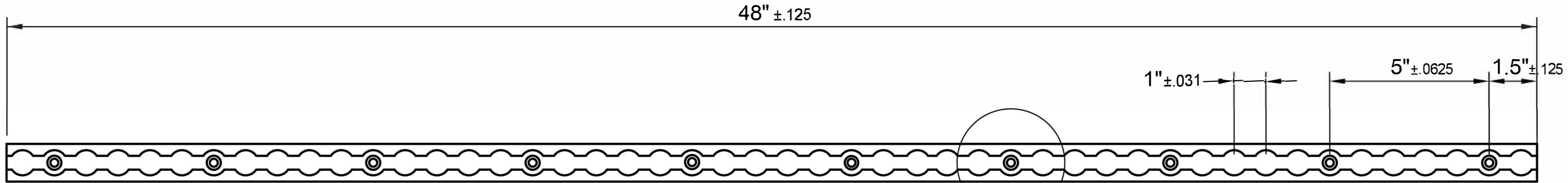


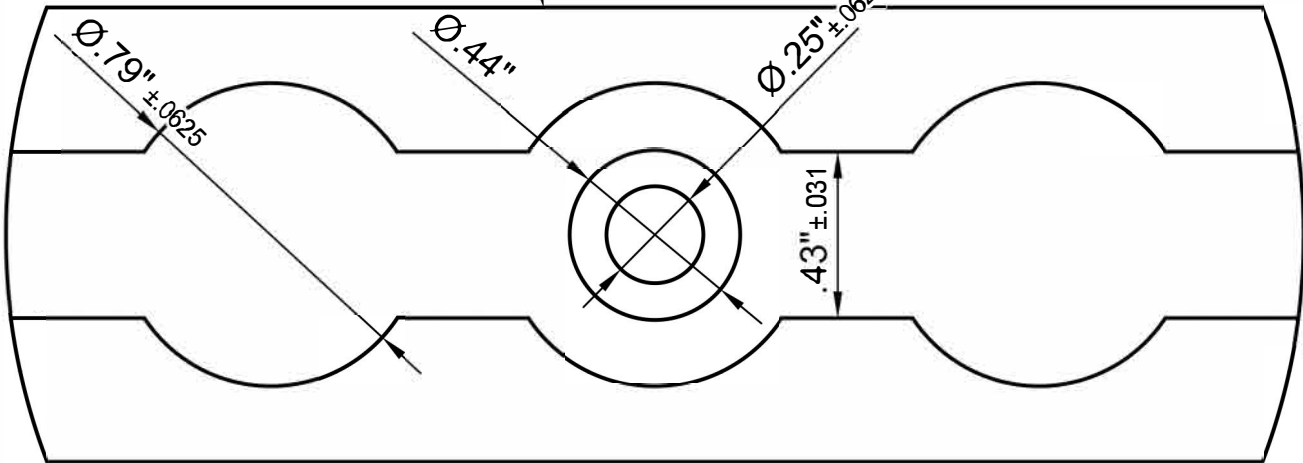
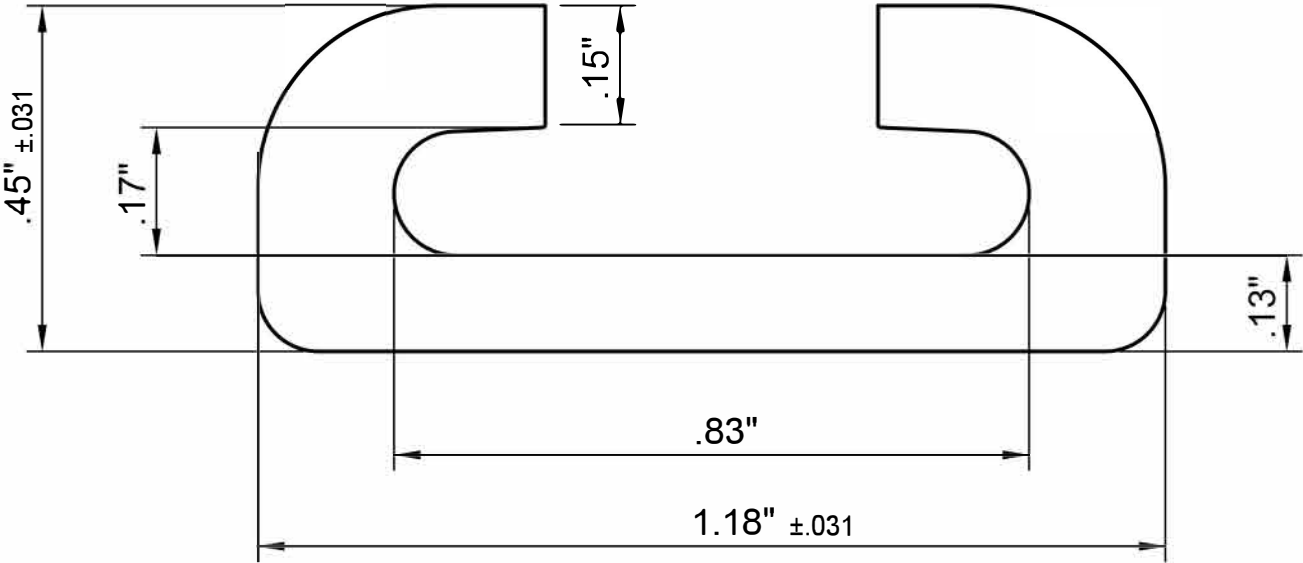
# Top View



A

A (2:1)

# Front View



Dept.	Technical reference	Approved by	
		Document type	Document status
		Title	DWG No.
		Rev.	Date of issue
		Sheet 1/1	