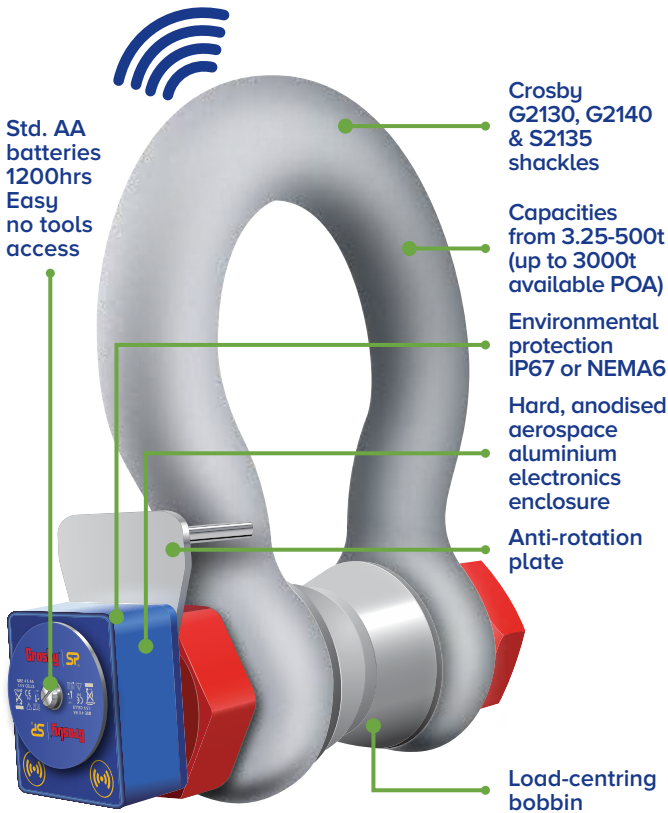


Wireless Loadshackle

Internal Antennae
Wireless Range of
1000m or 3280ft



Features and benefits:

- Wireless Range of 1000m or 3280ft
- Electronics housed in hard anodised enclosure
- Environmentally sealed to IP67 or NEMA6
- Battery Life of 1200hrs from 4 x AA batteries
- Internal Antennae
- Remote On-Off from handheld display or software
- Supplied with a load-centring bobbin
- 2-year warranty
- Complies with ASME B30.26
- Design validated by F.E.A.
- ATEX Zones 0, 1 & 2 available

- Bluetooth option is available and is supplied with a free HHP App for iOS and Android

Straightpoint's Wireless Loadshackle (WLS) provides the perfect solution to limited headroom or super heavy lift projects. Available from stock in capacities from 3.25t to 500t (up to 3000t available POA), the WLS is constructed using industry-leading shackles from Crosby.

Three versions of the WLS are available:

- Long range 2.4GHz version providing industry-leading wireless range of 1000m or 3280ft to SP's SW-HHP handheld or software options.
- Bluetooth output and can be connected to any smart phone running SP's free HHP app on iOS or Android, at ranges up to 100m or 328ft.
- ATEX/IECEX for hazardous areas, zones 0, 1 & 2. Providing a wireless range of up to 500m or 1640ft to SW-HHP-ATEX handheld.

Each WLS is proof tested, then equipped with a hard-anodised aluminium electronics enclosure. Contained within this enclosure is an internal chassis providing IP67 or NEMA6 environmental protection, even with the battery cover plate missing.

Featuring industry leading wireless technology, the WLS can maintain an update rate of 3Hz. It can be easily configured to run at industry-leading speeds of up to 200Hz, if required for dynamic load measurement projects.

Utilising easily sourced AA alkaline batteries, the WLS features advanced circuitry, designed to protect the unit from damage associated with incorrectly installed batteries. This circuitry extends battery life, and the use of easily-sourced alkaline batteries, eliminating issues associated with rechargeable battery pack charging, failure and replacement.

The WLS may also be used with Straightpoint's SW-PTP software package, allowing the operator to perform load tests at a safe distance and generate real-time test certificates on site.

A full array of wireless accessories are also available including wireless score board, overload alarm and base station with analogue (4-20mA) or 2 relay or RS485 ASCII outputs.

Also available with hazardous area approval. Zones 0, 1 & 2



ATEX / IECEx
Ex ia II C T4 Ga

Certification numbers:

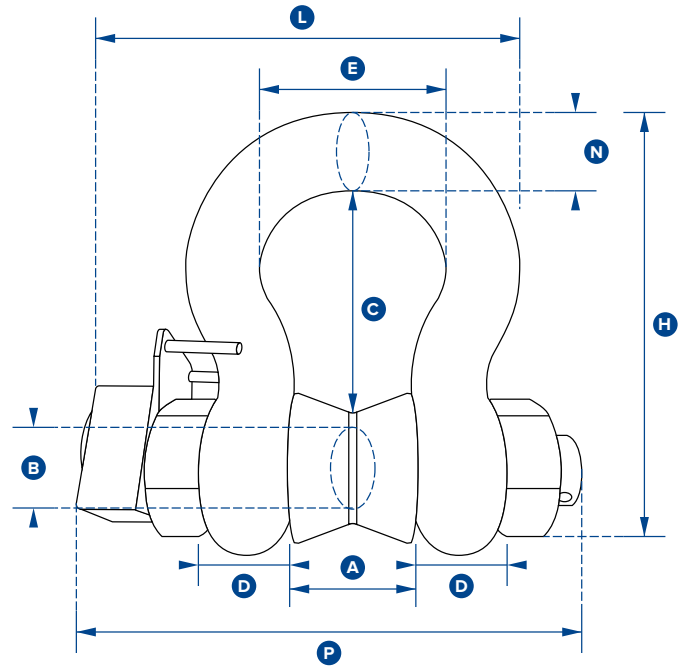
WLS ATEX

IECEx SIR 16.0041X / Sira 16ATEX2108X

SW-HHP ATEX

IECEx SIR 15.0072X / Sira 15ATEX2196X

Add 'ATEX' to the part number when ordering ATEX/IECEx products. For example: WLS3.25T-ATEX



Part Number	WLS3.25T	WLS6.5T	WLS12T	WLS25T	WLS55T	WLS85T	WLS120T	WLS200T	WLS300T	WLS400T
Crosby Part	2789186	2789200	2789183	2789185	2789199	2789201	2789172	2789184	2789188	2789189
Capacity	3.25te	6.5te	12te	25te	55te	85te	120te	200te	300te	400te
	7150lb	14300lb	26400lb	55000lb	120000lb	185000lb	260000lb	440000lb	660000lb	880000lb
Resolution	0.005te	0.005te	0.01te	0.02te	0.05te	0.05te	0.1te	0.2te	0.5te	0.5te
	10lb	10lb	20lb	50lb	100lb	100lb	200lb	200lb	1000lb	1000lb
Units	tonne	tonne	tonne	tonne	tonne	tonne	tonne	tonne	tonne	tonne
	lb	lb	lb	lb	lb	lb	lb	lb	lb	lb
Weight	2.8kg	3.2kg	8kg	18kg	25kg	85kg	125kg	260kg	405kg	662kg
	6.16lb	7lb	17.6lb	40lb	55lb	187lb	276lb	573lb	893lb	1459lb
Safety Factor	5:1 when used with bobbin									
Battery Type	Loadcell 4x AA alkaline									
Battery Life	Loadcell 1200 hrs continuous (500 hrs if Bluetooth)									
Operating Temp	-10 to +50 °C / 14 to 122°F									
Accuracy	+/- 1% FS									
Frequency	2.4GHz									
Range (Max)	1,000 m (100 m if Bluetooth) 3,280 ft (328 ft if Bluetooth)									
Data Rate	3 updates per second									
Protection	IP67 / NEMA6									
Dimension A	26.9	36.6	51.5	73	82.5	127	144	180	205	230
	1.06	1.44	2.03	2.87	3.25	5.00	5.66	7.09	8.07	9.06
Dimension ØB	19.1	25.4	35.1	51	57	83	95	125	150	175
	0.75	1.00	1.38	2.01	2.24	3.26	3.74	4.92	5.91	6.89
Dimension C	56.9	79.7	113	170	189.5	317	364	432.2	505	547.7
	2.24	3.14	4.45	6.69	7.46	12.48	14.33	17.02	19.88	21.56
Dimension D	14.46	20.6	29.5	44.5	51	80	89	110	120	160
	0.57	0.81	1.16	1.75	2.01	3.14	3.50	4.33	4.72	6.30
Dimension E	42.9	58	82.5	127	146	190	238	280	305	325
	1.69	2.28	3.25	5.00	5.75	7.48	9.37	11.02	12.01	12.80
Dimension H	106	148	210	313	348	539	624	769	904	1006.5
	4.17	5.83	8.27	12.32	13.70	21.22	24.56	30.28	35.59	39.63
Dimension L	135	156.5	201	275	306	393	445	529.7	586.7	667.2
	5.31	6.16	7.91	10.83	12.05	15.47	17.51	20.85	23.10	26.27
Dimension N	17.5	24.6	35.1	57	61	85	95	120	140	160
	0.69	0.97	1.38	2.24	2.40	3.34	3.74	4.72	5.51	6.30
Dimension P	150	173	222	290	317	448	488	600	657	765
	5.91	6.81	8.74	11.42	12.48	17.63	19.21	23.62	25.87	30.12
Crosby Shackle	G2130	G2130	G2130	G2130	G2140	S2135				