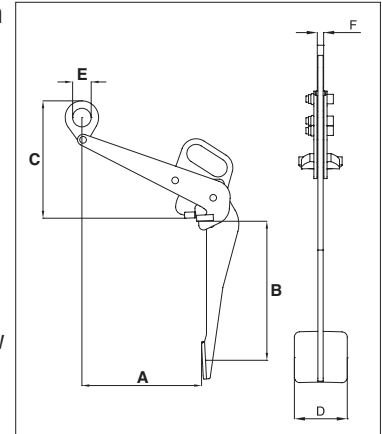


IPDV



Designed to lift, move and transfer 50-55 gallon drums with steel tops

- Available in capacity of .5 metric tons (higher Working Load Limits are available upon request).
- Jaw openings available: IPDV - 11.75" and IPVK - .63".
- Welded alloy steel body for strength and smaller size. Forged alloy components, where required.
- Individually Proof Tested to 2 times the Working Load Limit with certification.
- Company name (Crosby IP), logo, Working Load Limit and jaw opening permanently stamped on body.
- Each product is individually serialized, with the serial number and Proof Load test date stamped on body. User manual with test certificate is included with each clamp
- Maintenance and repair kits are available.



Model IPDV

Load Tested

Model	Working Load Limit (t)*	Stock No.	Weight Each (lb)	Dimensions (in)					
				Jaw A	B	C	D	E	F
IPDV	0.5	2700118	15.7	11.75	14.76	11.42	3.94	1.97	0.47

*Design Factor based on EN 13155 and ASME B30.20.

