

FBK

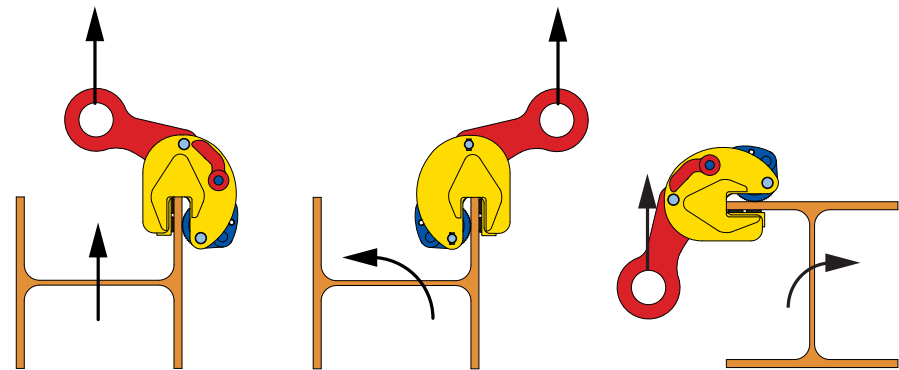
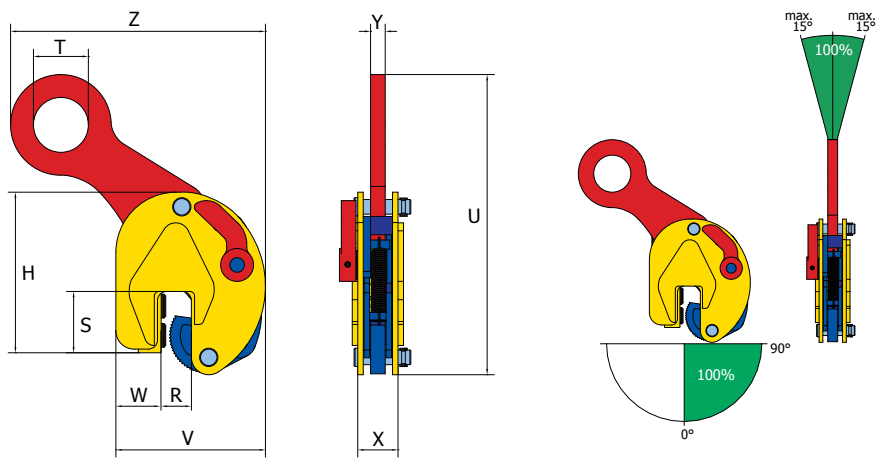
Special lifting clamp for vertical and handling in-position lifting of beams

Application:

- For vertical lifting, transportation, and stacking of steel (H) beams, profiles, and structures where the load must stay perfectly in position
- Especially recommended for transportation and stacking of steel (H) beams (e.g. when sawing of steel beams, stacking of steel beams, and building of steel constructions)
- Jaw openings available from: 0 to 1.00 in.
- Working load limit (WLL) 2,200 - 6,600 lbs
- Min. WLL is 10% of max. WLL

Features and Benefits:

- Special lifting shackle places the gravity center of the beam or load directly beneath the lifting shackle
- While lifting, the equilibrium of the beam is maintained and keeps the flanges vertical so the beam can easily be stacked or positioned
- Always equipped with a safety mechanism, ensuring the clamp does not slip when lifting force is applied and when load is being lowered
- Clamp is locked in closed as well as open position
- Lightweight design for easy handling
- Tough quality heavy-duty welded shell body
- Maintenance-friendly. Easy to exchange parts are available upon request



Reference No.	Type	Capacity/WLL (lb/pc)	Jaw opening (R) (inches)	Dimensions in inches									Weight (lb/pc)
				V	W	S	H	T	Z	X	U	Y	
851010	1 FBK	2,200	0 - 0.59	5.35	1.69	1.77	6.06	1.38	7.87	1.85	8.86	0.59	8
851000	1.5 FBK	3,300	0 - 0.78	6.69	2.20	2.64	8.27	2.36	12.28	2.20	14.72	0.63	16
851100	3 FBK	6,600	0 - 1.00	8.19	2.28	2.60	9.92	2.76	14.96	3.03	16.14	0.79	34