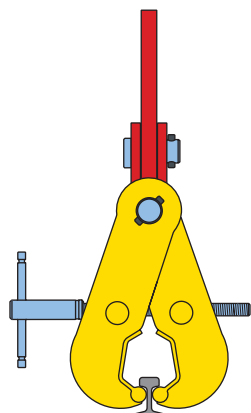


TSRC

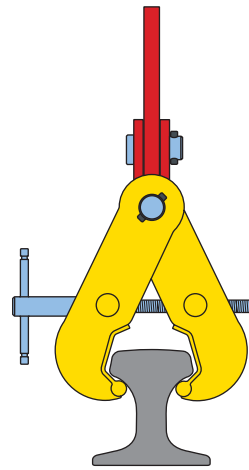
Available **ONLY** in the United States

Application:

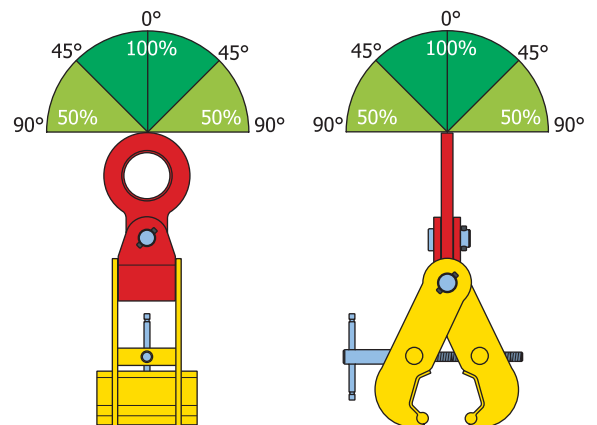
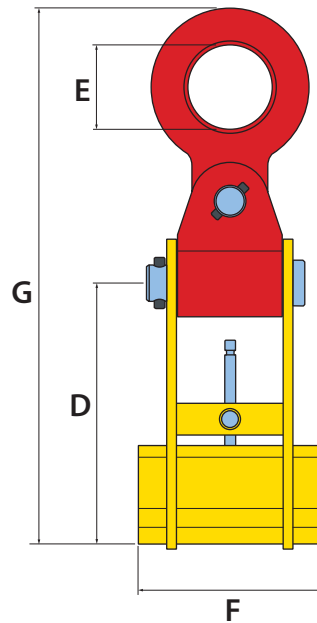
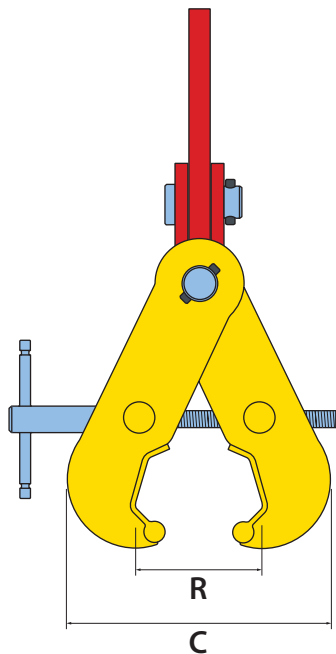
- Specifically designed for the lifting and transporting of Tee Rail and Crane Rail sections
- ASCE 12# through ASCE 175#
- Equal opening and closing of both jaws for simple and quick operation
- Welded jaw plates for better positioning and less risk of damaging load
- Tough quality heavy-duty body
- Maintenance-friendly. Easy to exchange parts are available upon request



12#



175#



Reference No.	Type	Capacity/WLL (lb/pc)	Jaw opening (R)	Dimensions in inches					Weight (lb/pc)
				C-max	D	E	F	G-max	
956555	5 TSRC	11,000	ASCE 12# - ASCE 175#	11.3	9.57 - 10.12	3.15	7.09	20.31	36