

TVKH

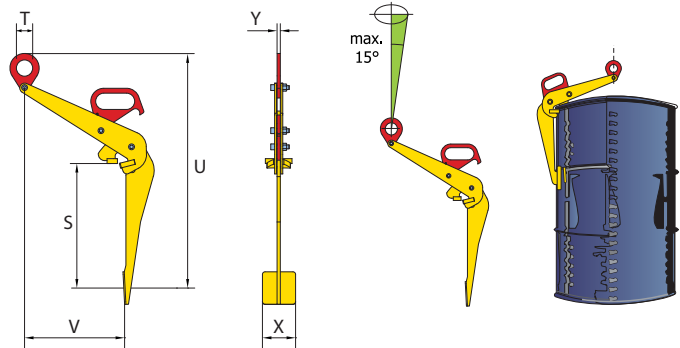
Special lightweight heavy duty clamp for upright/vertical drum lifting

Application:

- Designed for lifting, handling, and transporting of (oil) drums, where the drums have to stay in a upright/vertical position
- Single clamp application on empty or filled drums
- During lifting and transportation the centre of gravity of the drum is always below the lifting point
- Jaw openings available from: 0 to 1.00 in.
- Working load limit (WLL) 1,300 lbs

Features and Benefits:

- Lightweight design for easy handling in tight spaces between other drums
- Tough quality heavy-duty body
- Equipped with a manual safety locking mechanism, ensuring the clamp does not slip when lifting force is applied and when load is being lowered
- Maintenance-friendly. Easy to exchange parts are available upon request



Reference No.	Type	Capacity/WLL (lb/pc)	Jaw opening (R) (inches)	Dimensions in inches						Weight (lb/pc)
				U	S	V	T	X	Y	
828100	TVKH	1,300	0 - 1.00	30.11	17.08	12.00	1.96	3.93	0.39	16